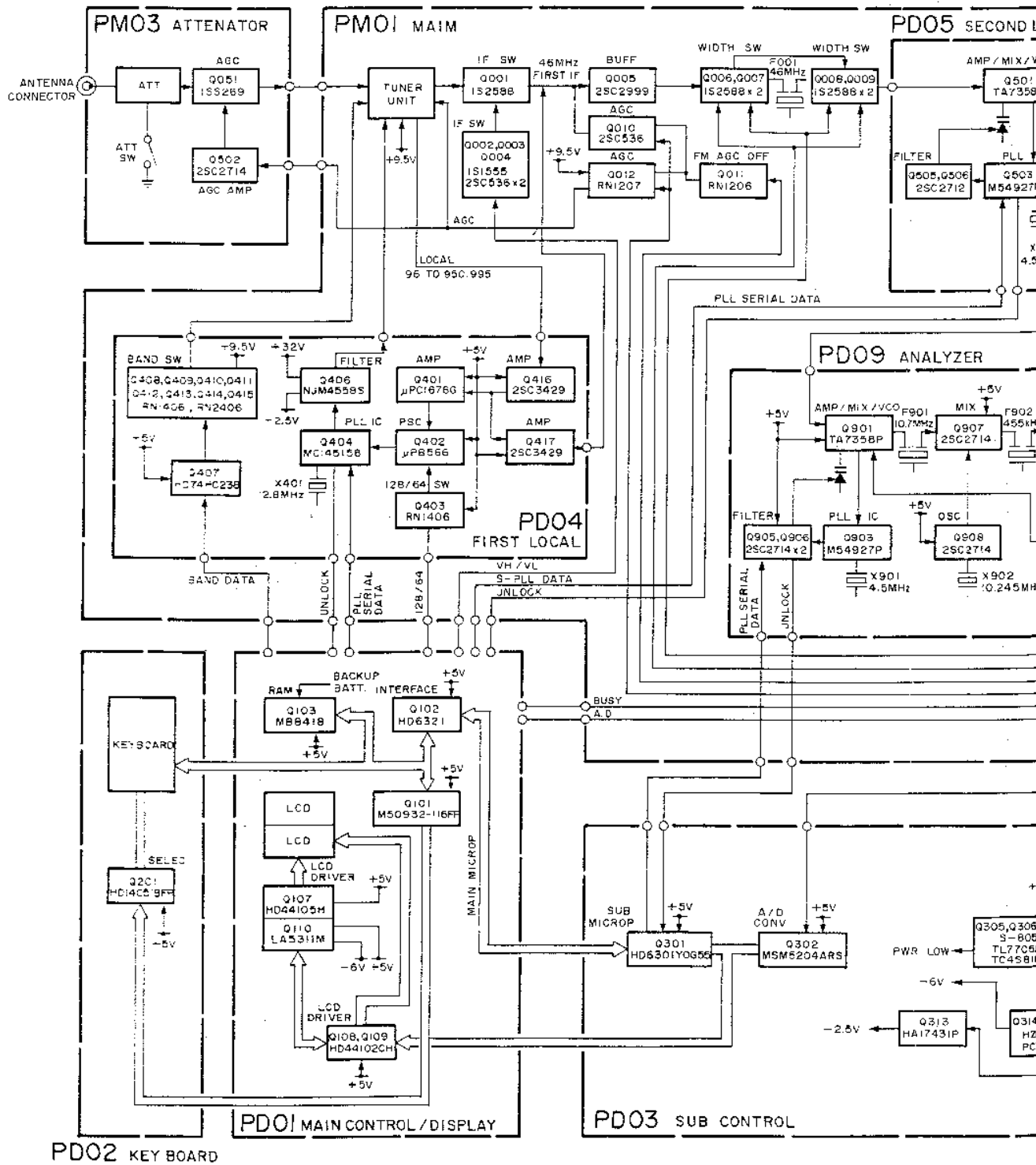
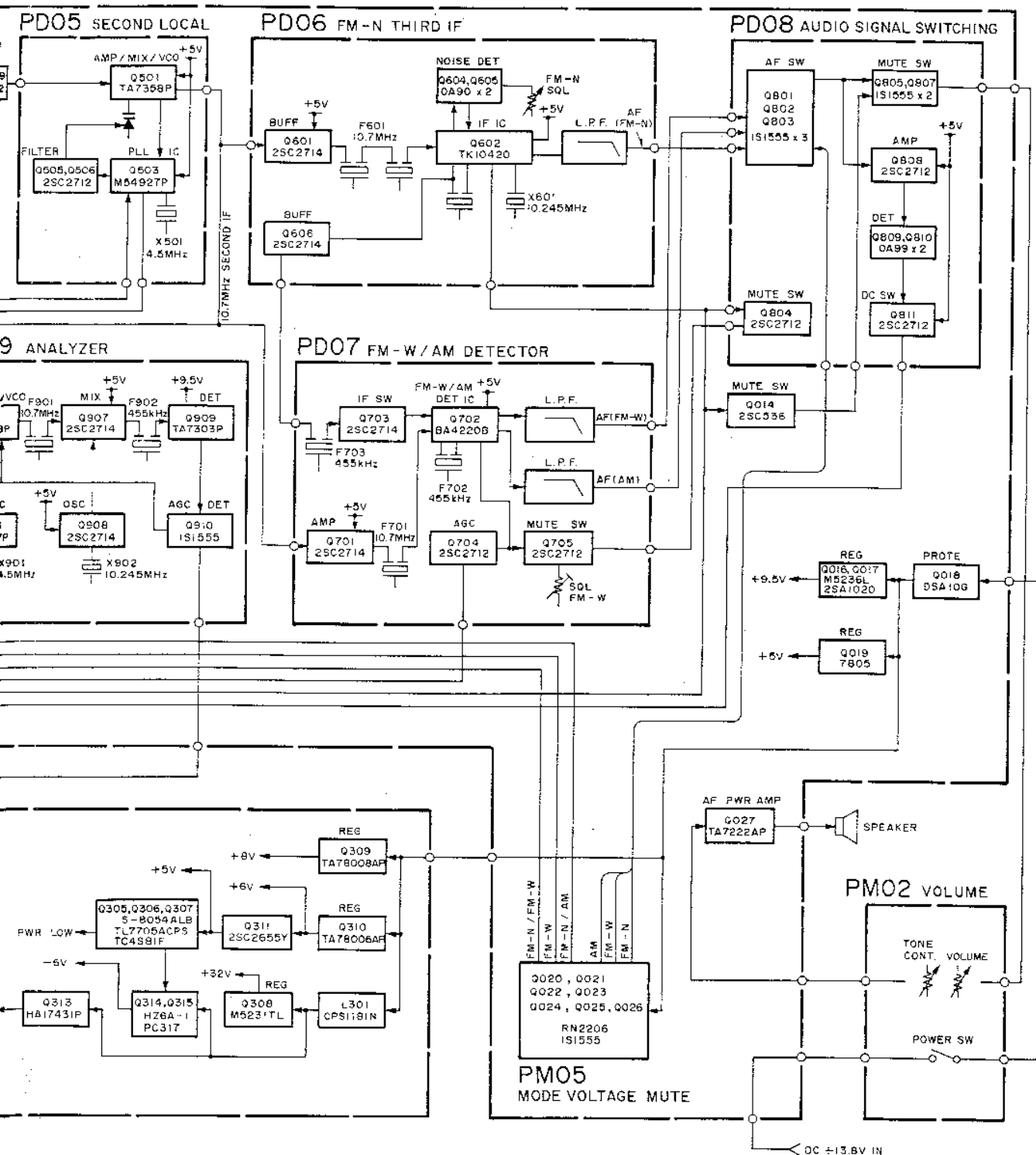
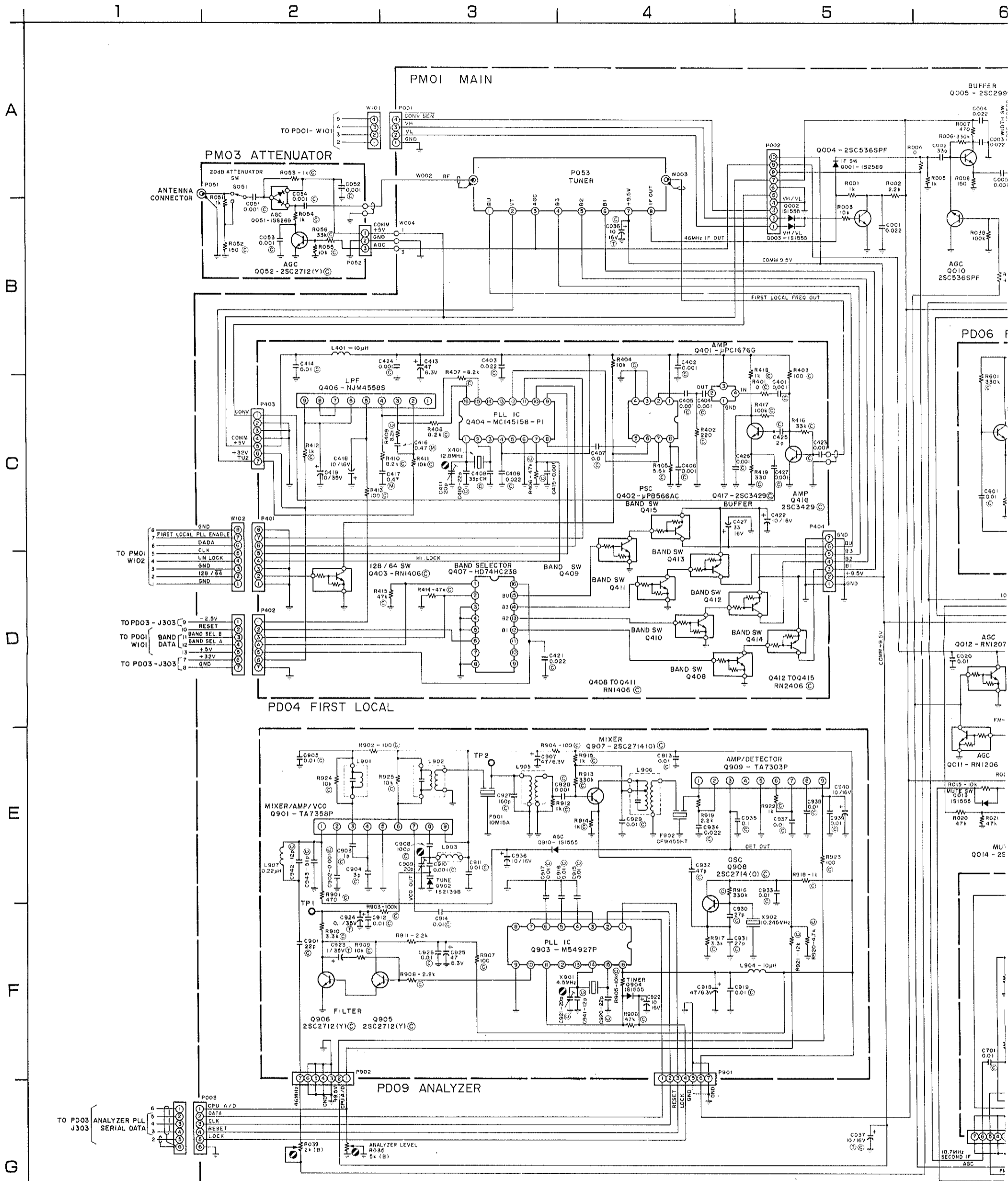


5. BLOCK DIAGRAM

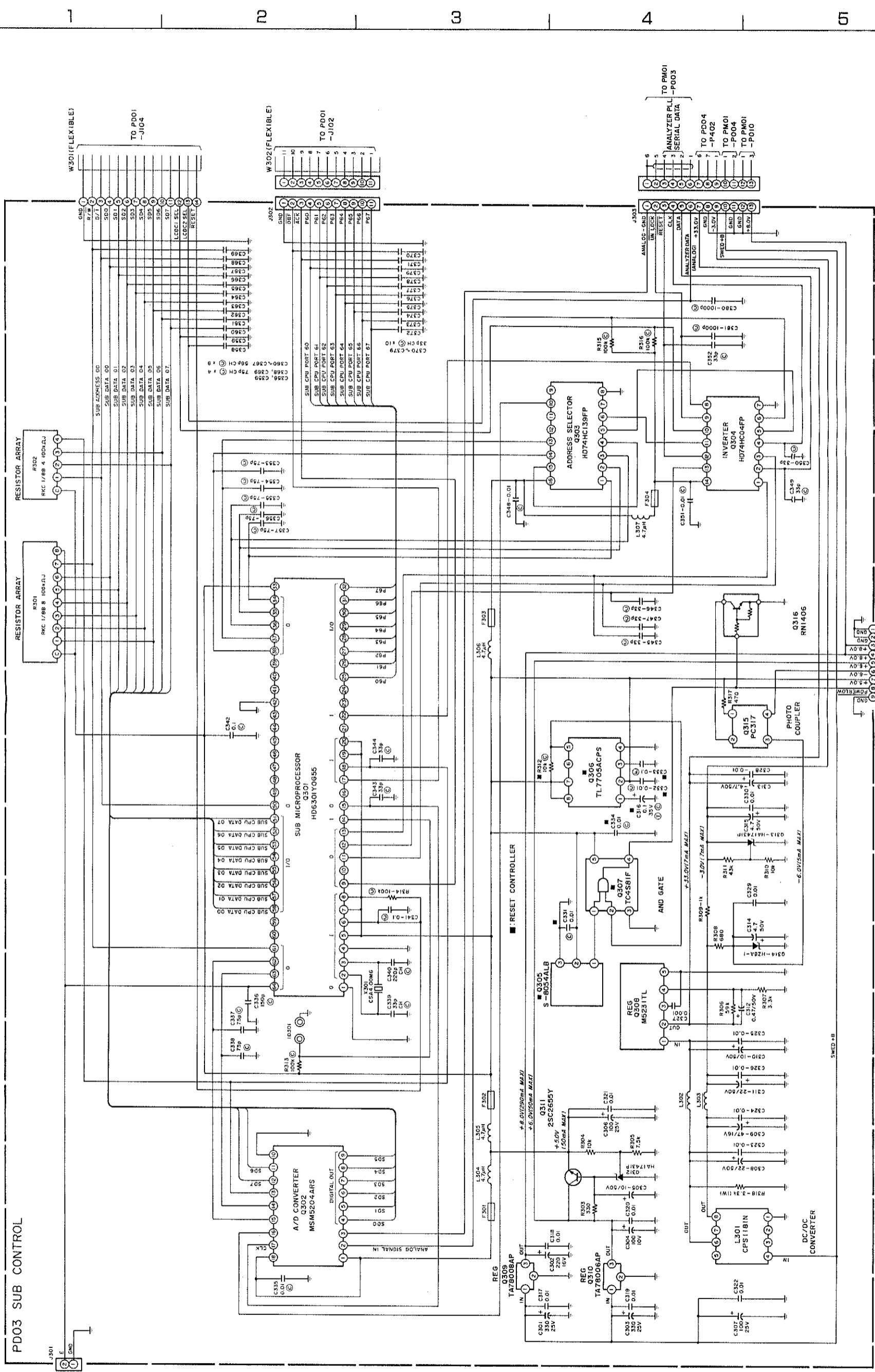




7. SCHEMATIC DIAGRAM



A B C D M T Q



NOTES:
 1. REFER TO PARTS LIST FOR COMPONENT VALUES.
 2. UNLESS OTHERWISE NOTED RESISTOR VALUES ARE IN OHMS,
 AND CAPACITOR VALUES ARE IN MICROFARADS.

TO PD03 - J302
 1 10 9 8 7 6 5 4 3 2 1

TO PD01 - J101
 1 2 3 4 5 6 7 8 9 10

TO PD04 MODE
 -P402 DATA
 -P001 -P010

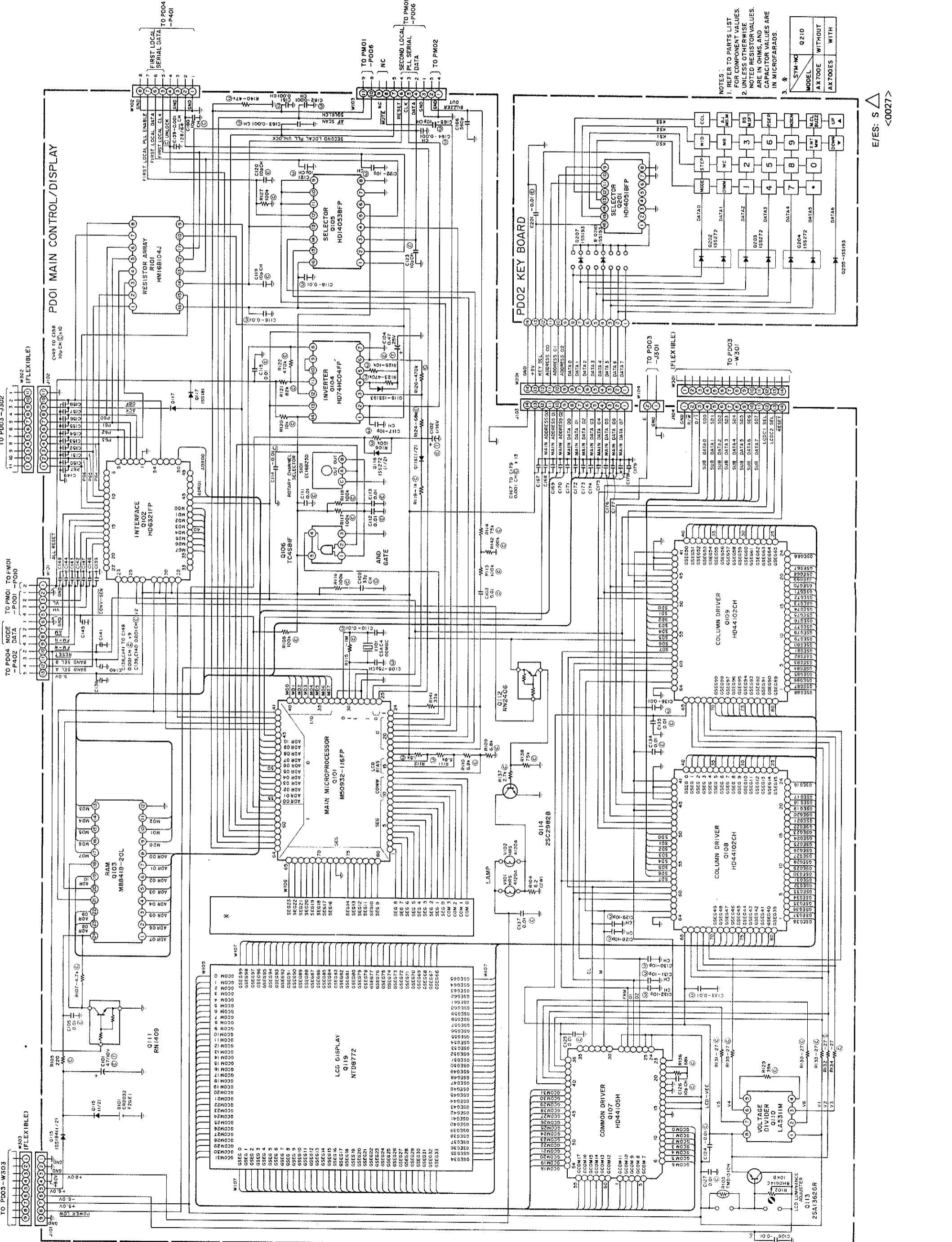
TO PD01 TO PD01
 -P008

TO PD03 - W303
 1 2 3 4 5 6 7 8 9 10

TO PD01 TO PD01
 -P001 -P010

TO PD03 - J302
 1 10 9 8 7 6 5 4 3 2 1

S 3/3
 <0027>



NOTES:
 1. REFER TO PARTS LIST FOR COMPONENT VALUES.
 2. UNLESS OTHERWISE NOTED RESISTOR VALUES ARE IN OHMS, AND CAPACITOR VALUES ARE IN MICROFARADS.

SYM-NO	Q 210
MODEL	WITHOUT
AX TOOE	WITH

E/ES: S Δ <0027>