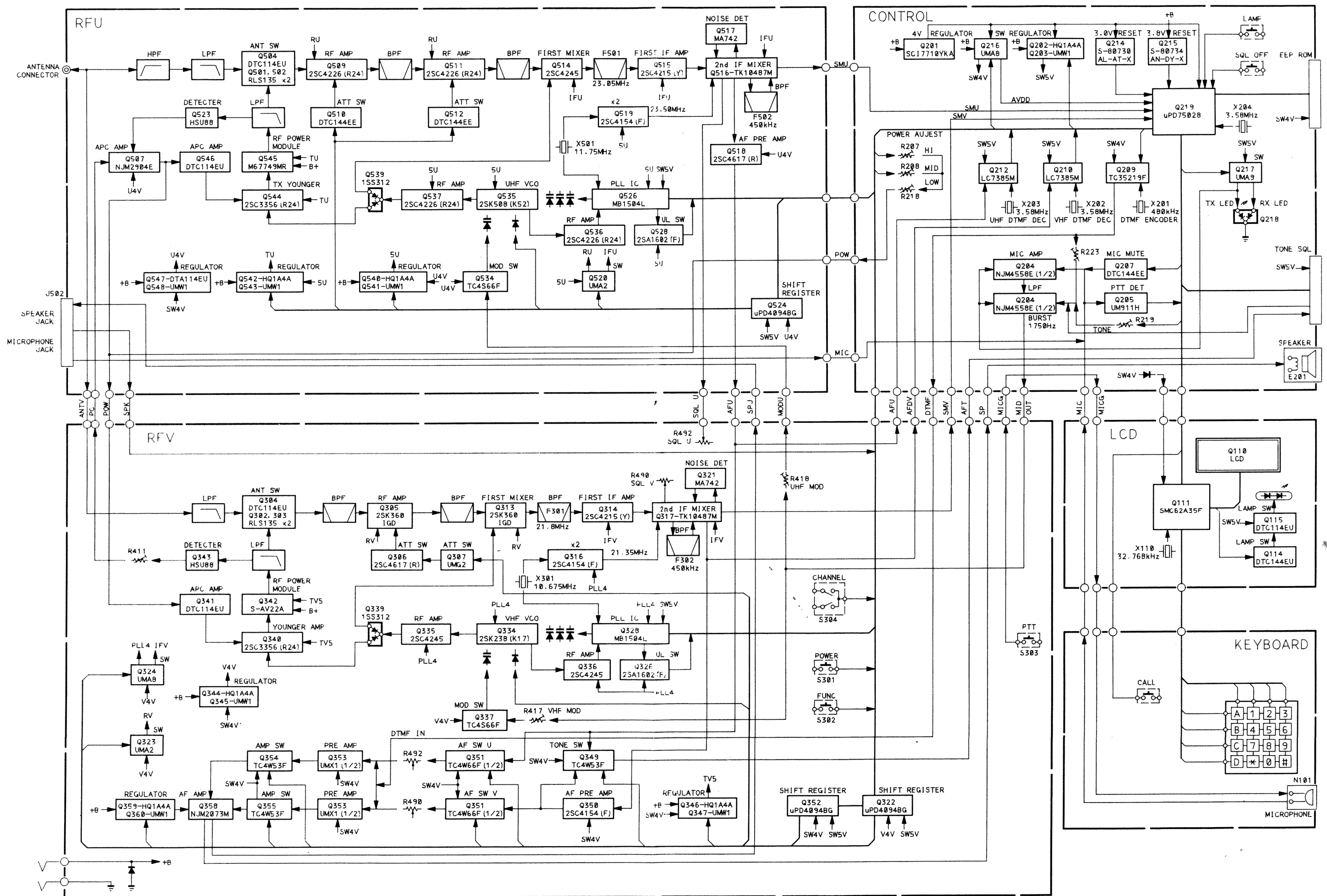
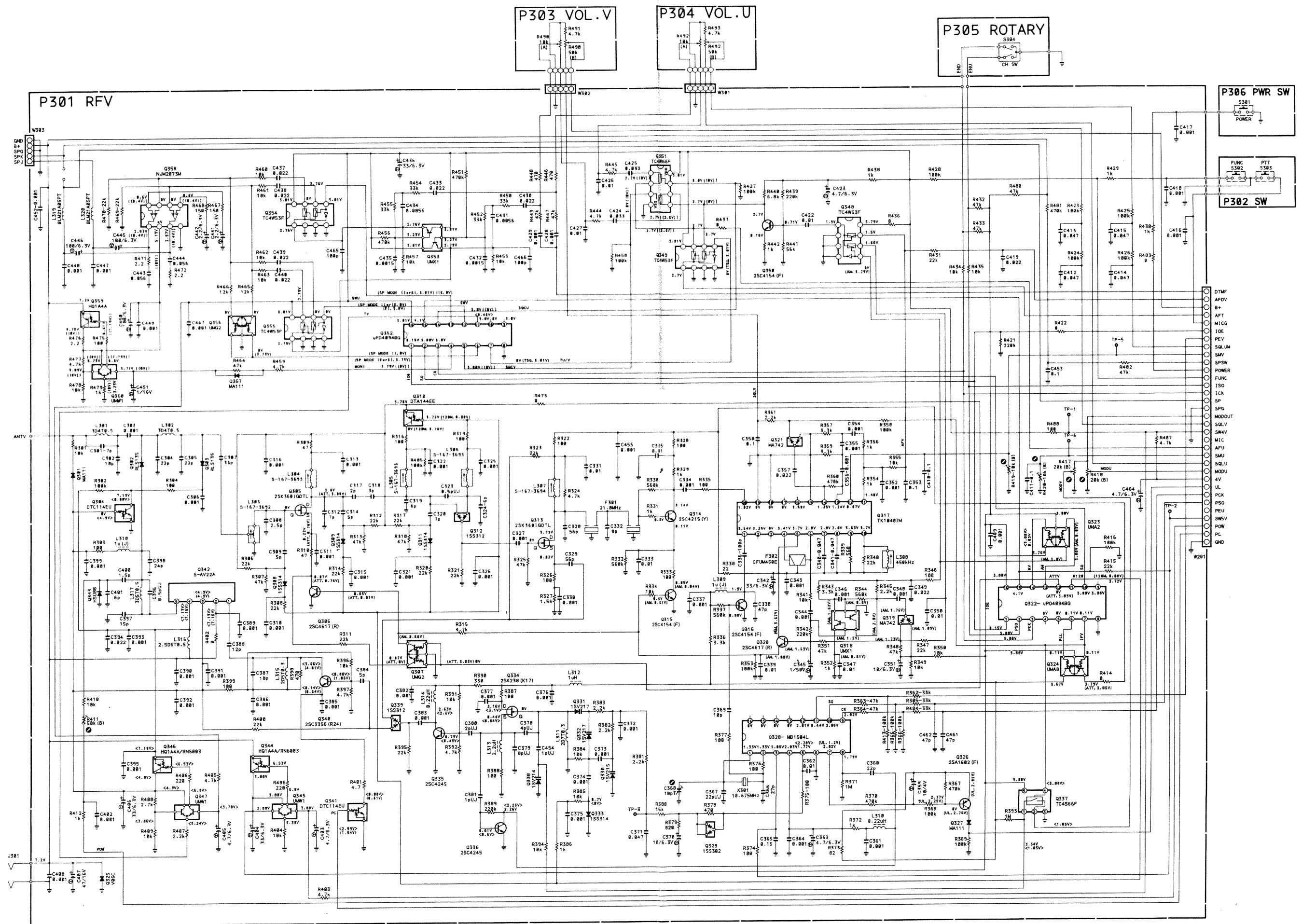


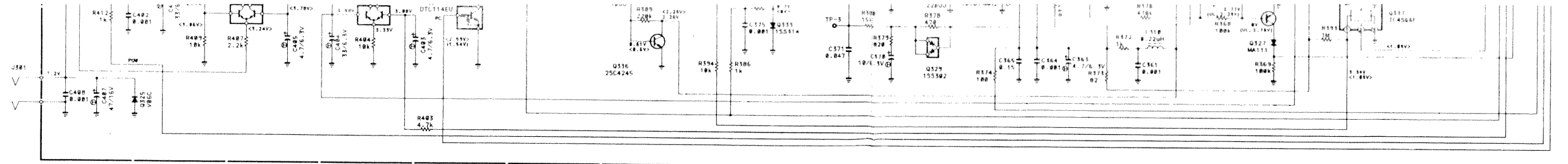
BLOCK DIAGRAM FOR Model C558

Downloaded by
RadioAmateur.EU



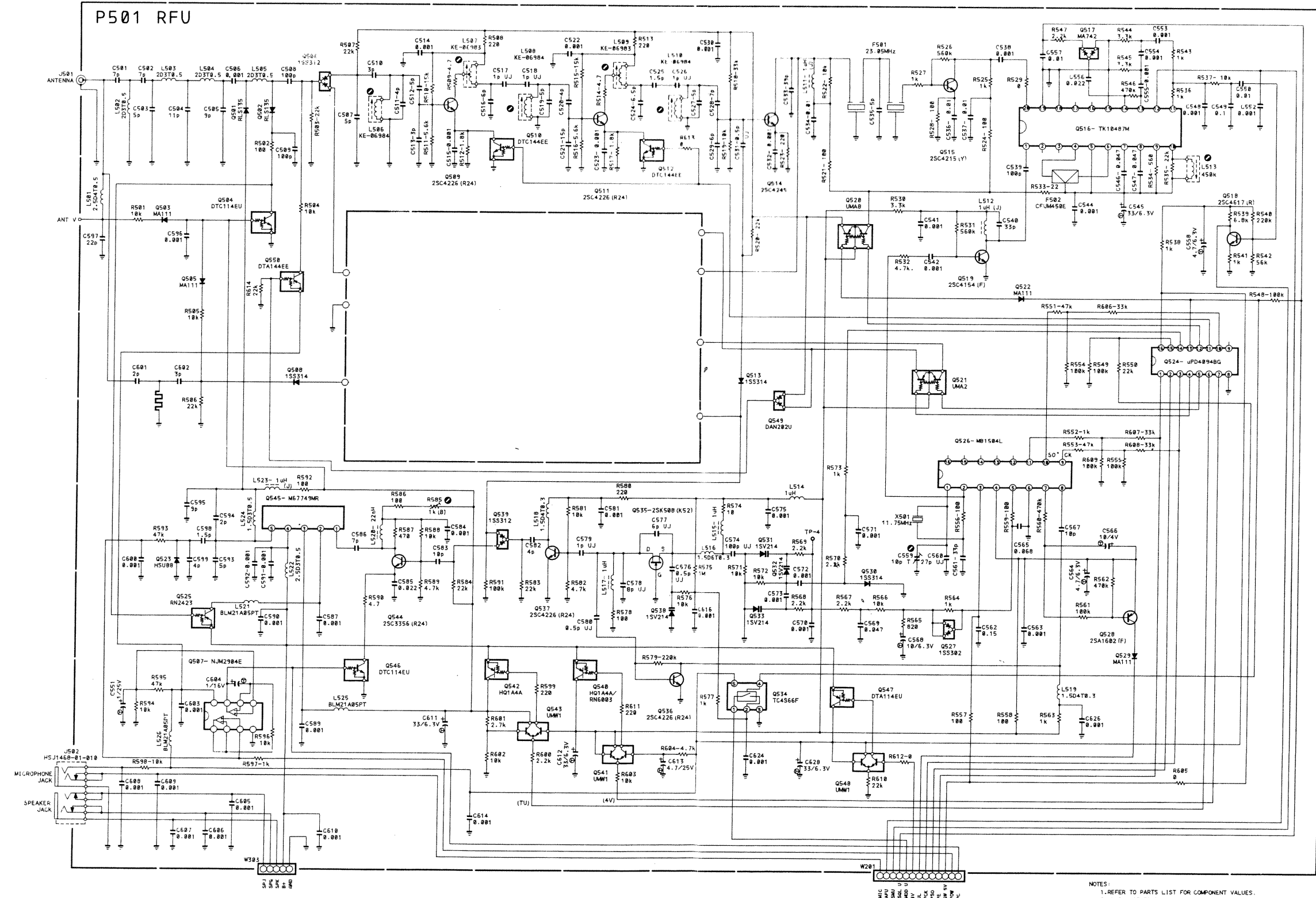


NOTES:
 1. REFER TO PARTS LIST FOR COMPONENT VALUES.
 2. UNLESS OTHERWISE NOTED RESISTOR VALUES ARE IN OHMS AND CAPACITOR VALUES ARE IN MICROFARADS.
 3. VOLTAGE NOTATIONS ARE AS FOLLOWS:
 NOMARKING RX 7.2V
 () SOL TIGHT TWIN
 < > TX HI 145.00 435.00



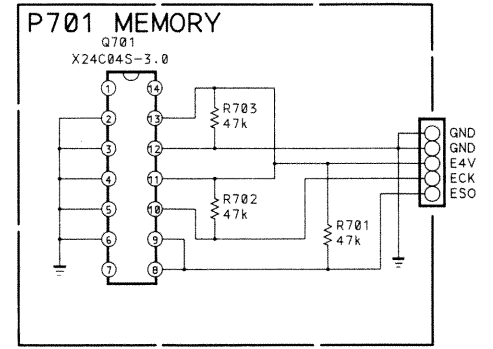
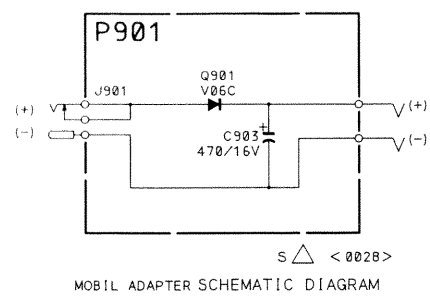
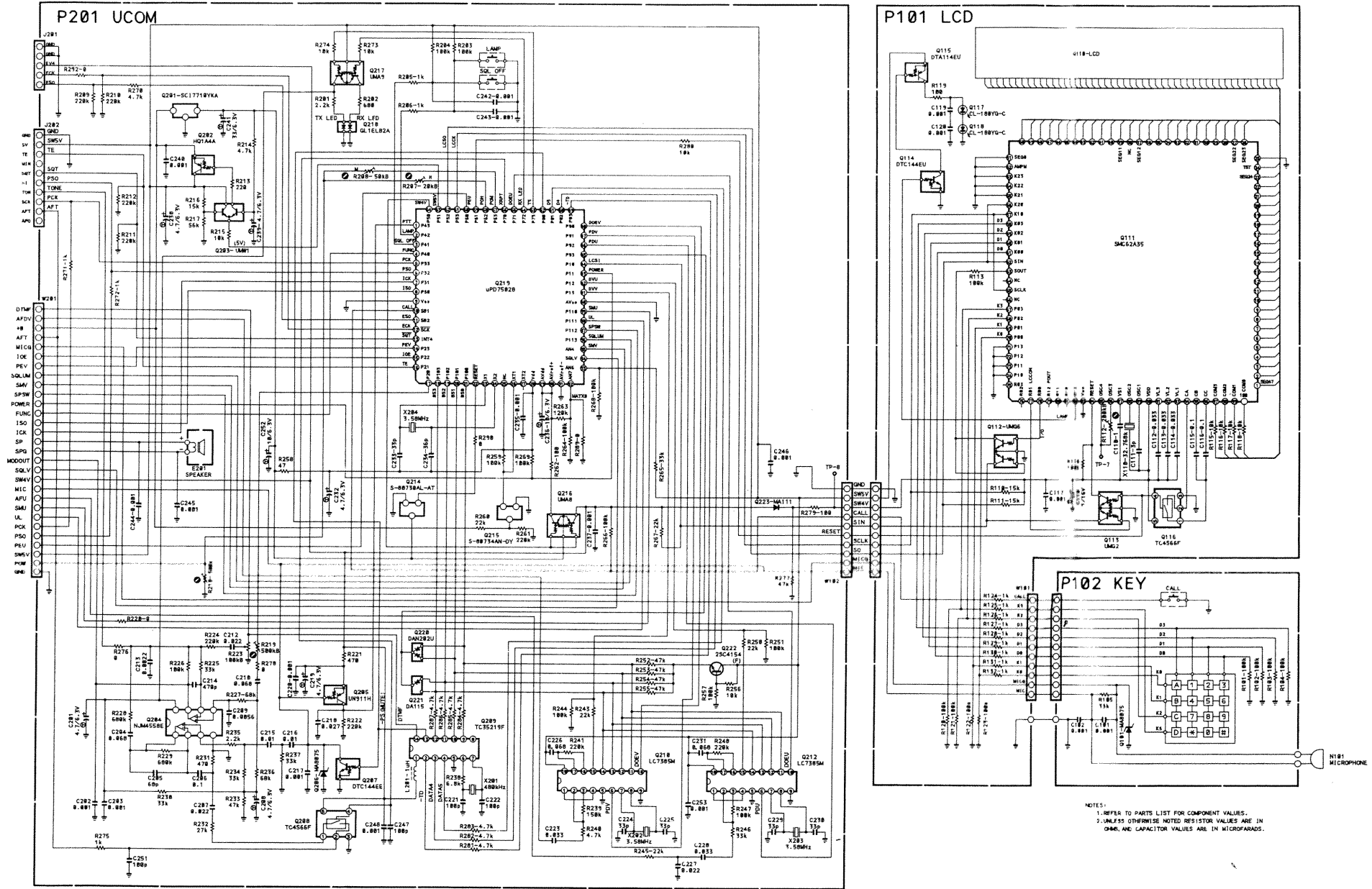
Downloaded by
RadioAmateur.EU

NOTES:
 1. REFER TO PARTS LIST FOR COMPONENT VALUES.
 2. UNLESS OTHERWISE NOTED RESISTOR VALUES ARE IN OHMS AND CAPACITOR VALUES ARE IN MICROFARADS.
 3. VOLTAGE NOTATIONS ARE AS FOLLOWS:
 NOMARKING RX 7.2V
 (()) SQR TIGHT TWIN 100
 < > TX HI 1.45 00 435.00
 () TX LOW
 () C000000



NOTES:
 1. REFER TO PARTS LIST FOR COMPONENT VALUES.
 2. UNLESS OTHERWISE NOTED RESISTOR VALUES ARE IN OHMS AND CAPACITOR VALUES ARE IN MICROFARADS.

Components and wiring are subject to change for modification without notice.



Downloaded by
 RadioAmateur.EU

BLOCK DIAGRAM FOR Model C558

