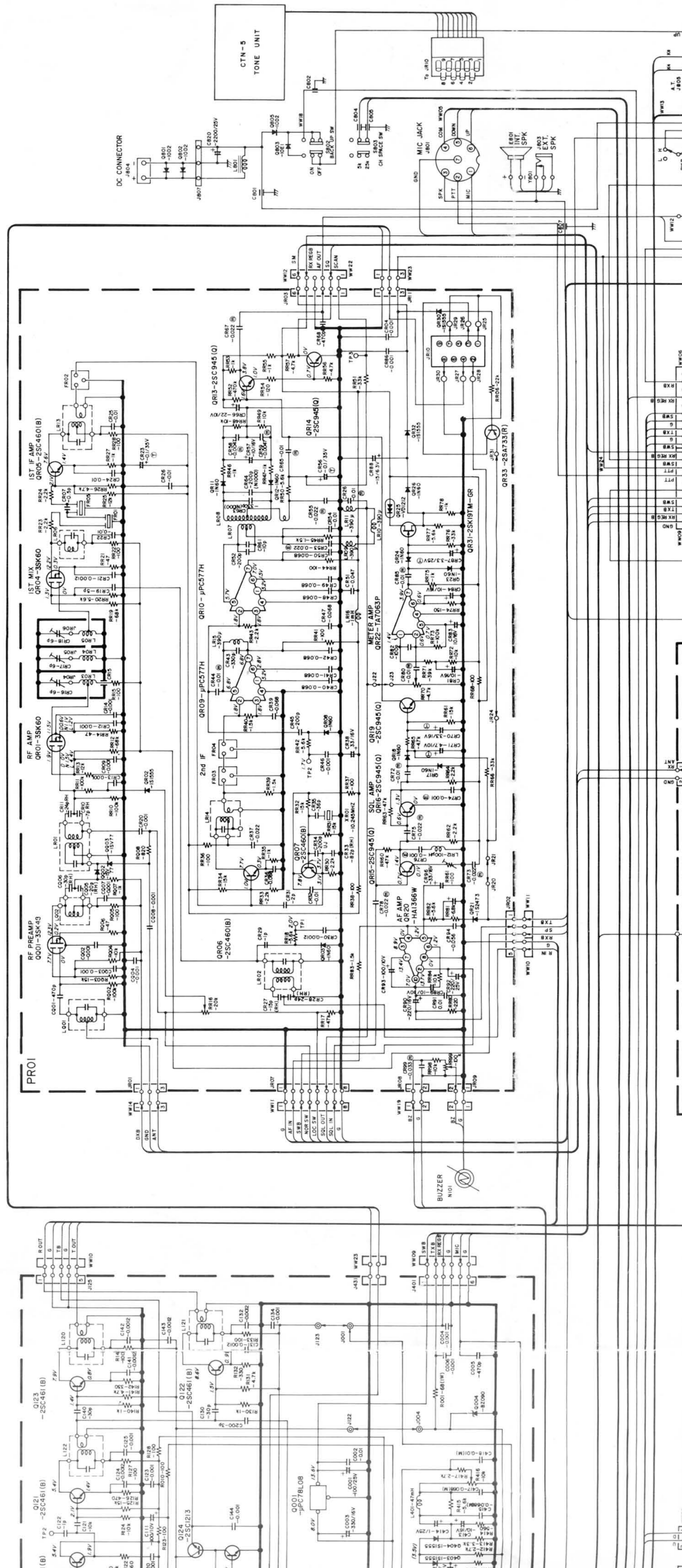


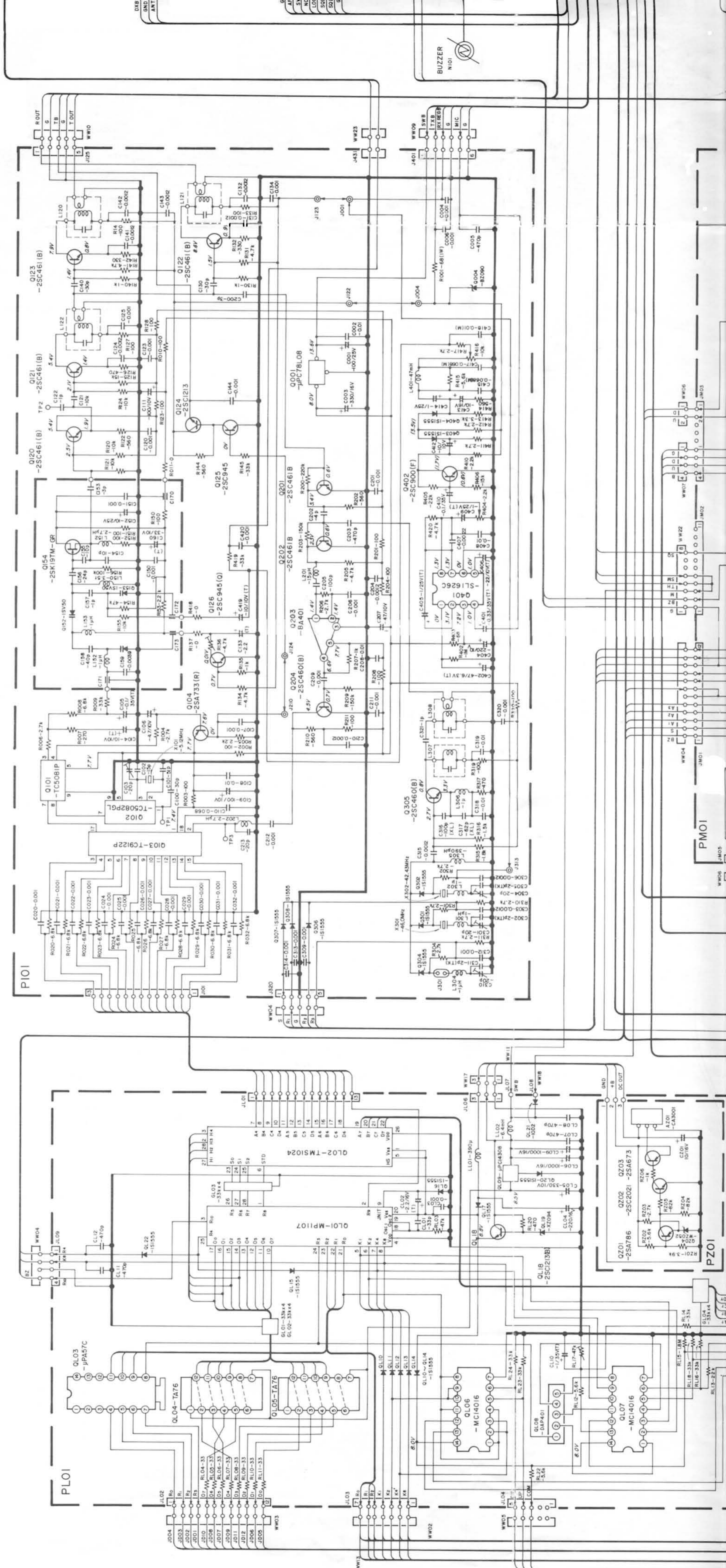
SCHEMATIC DIAGRAM FOR MODEL C8800

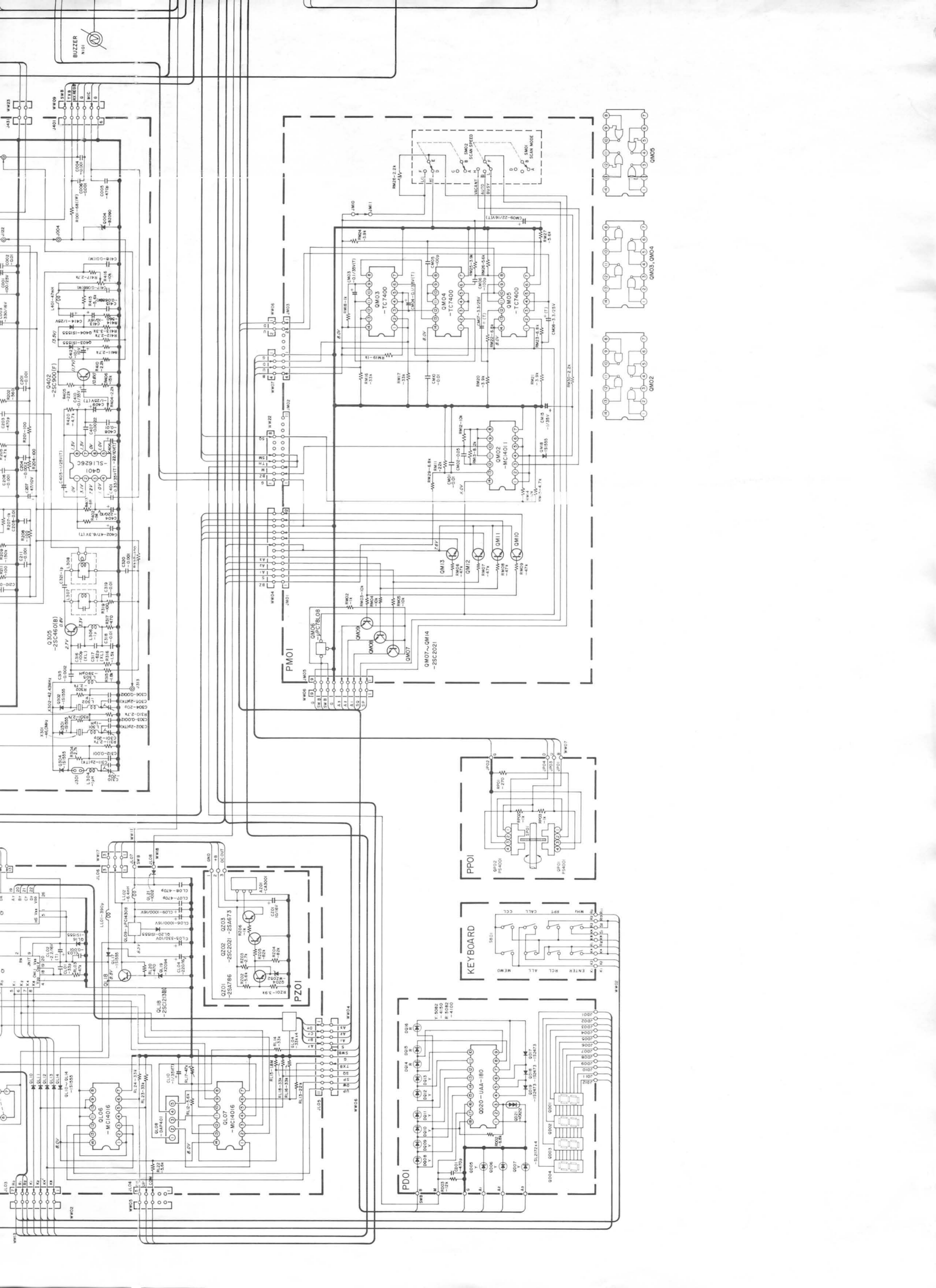


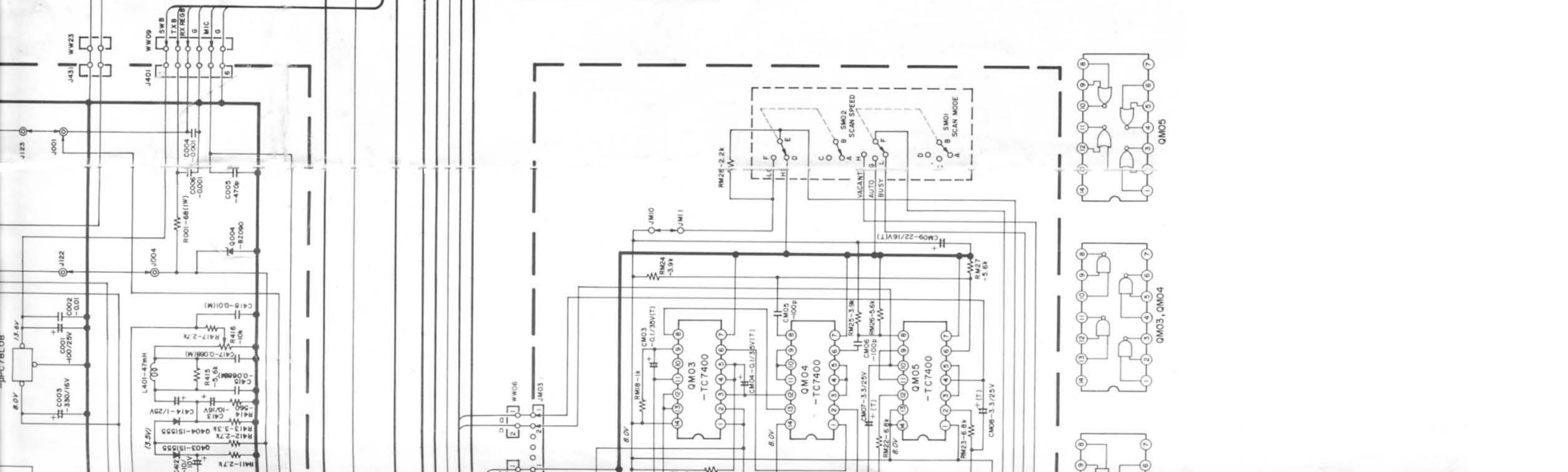
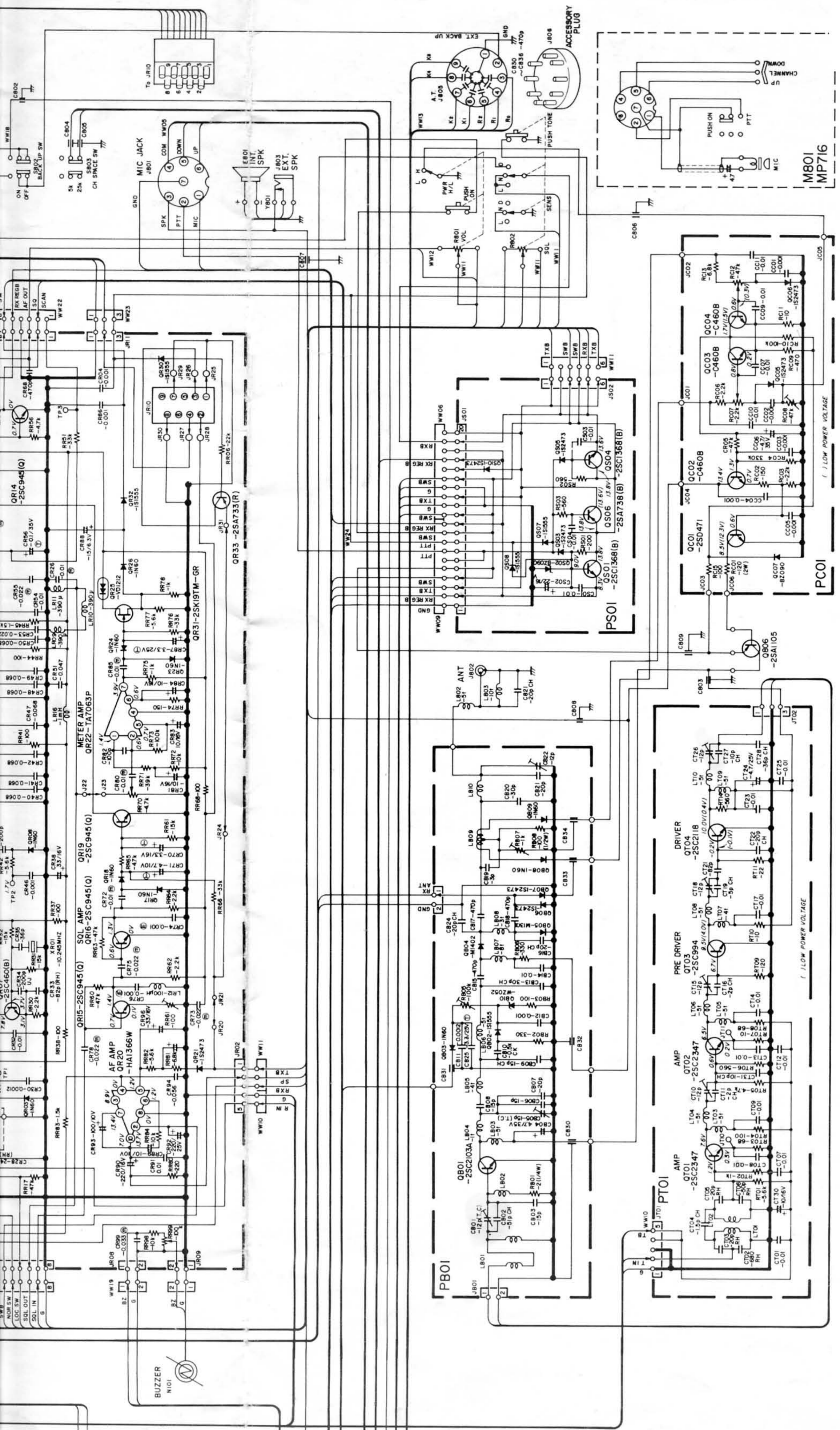


STANDARD[®]

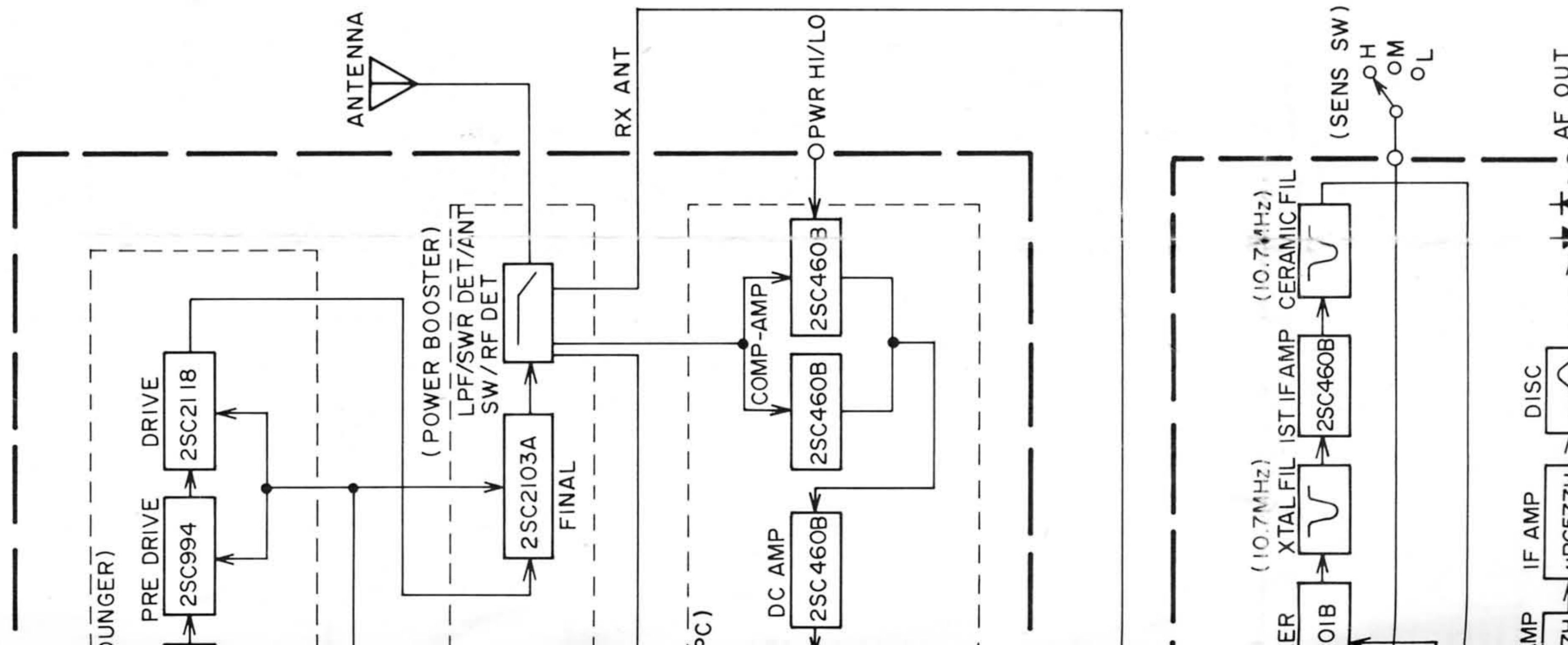
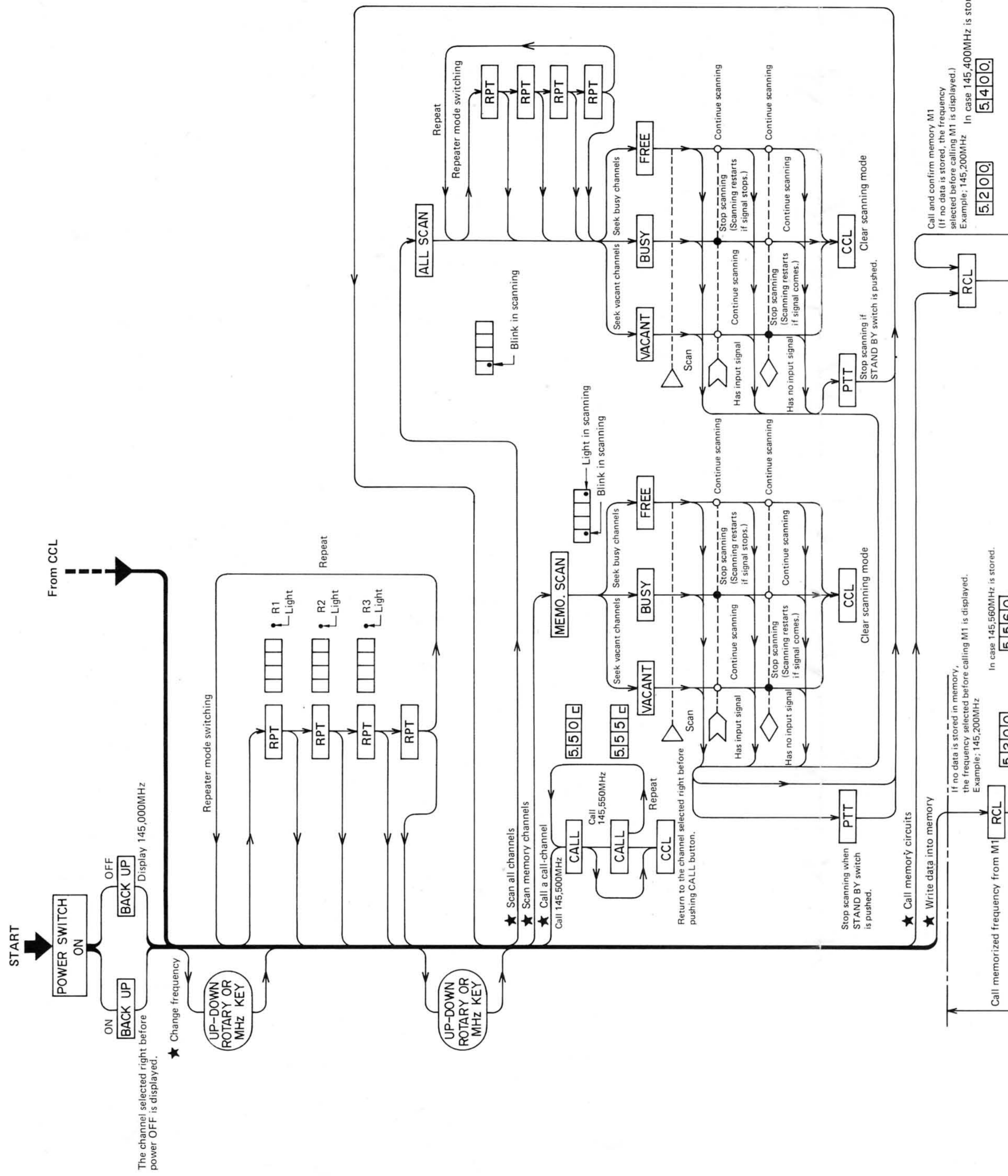
SCHE

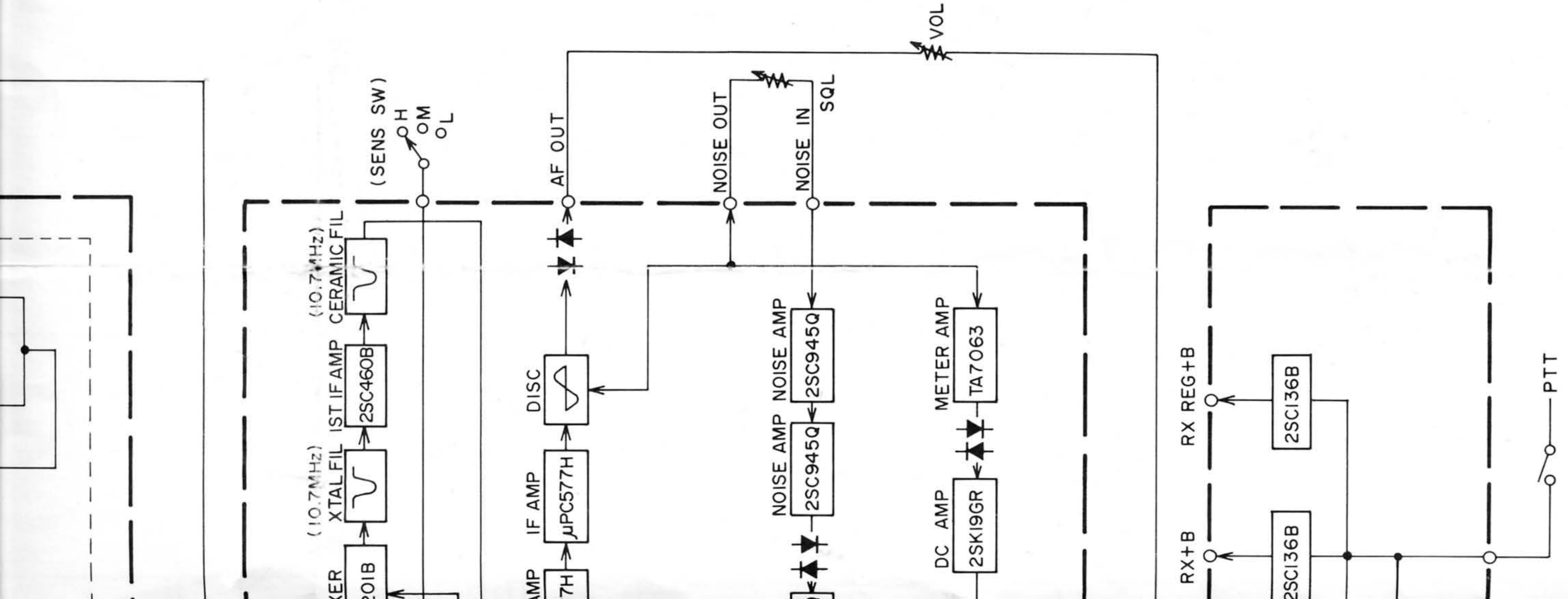
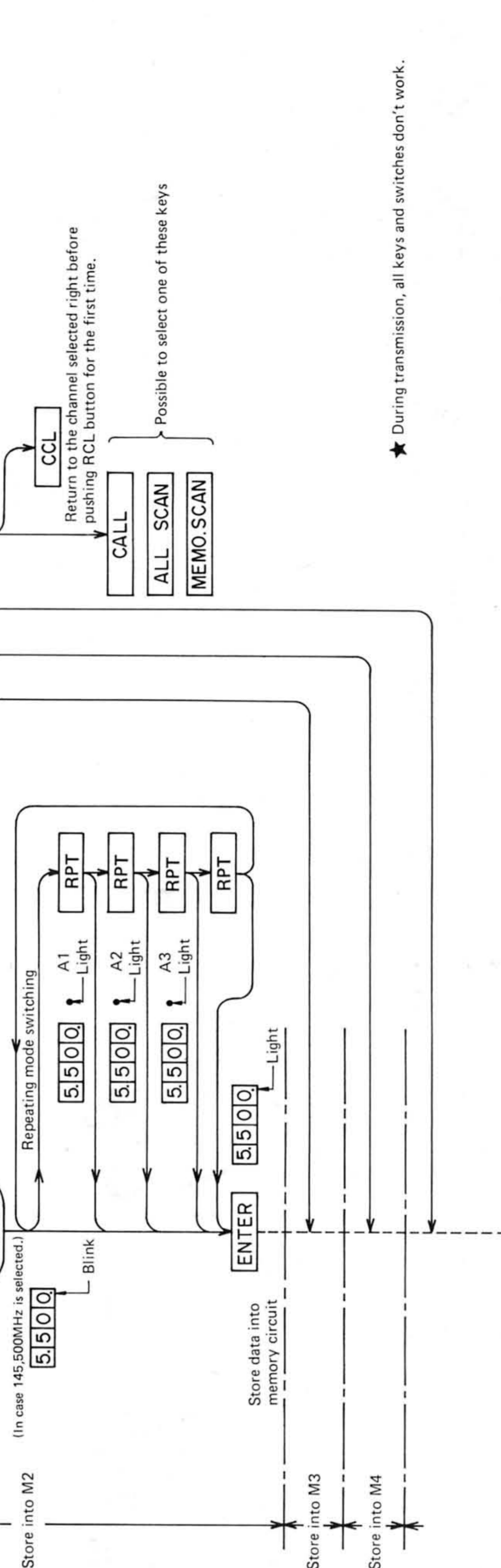
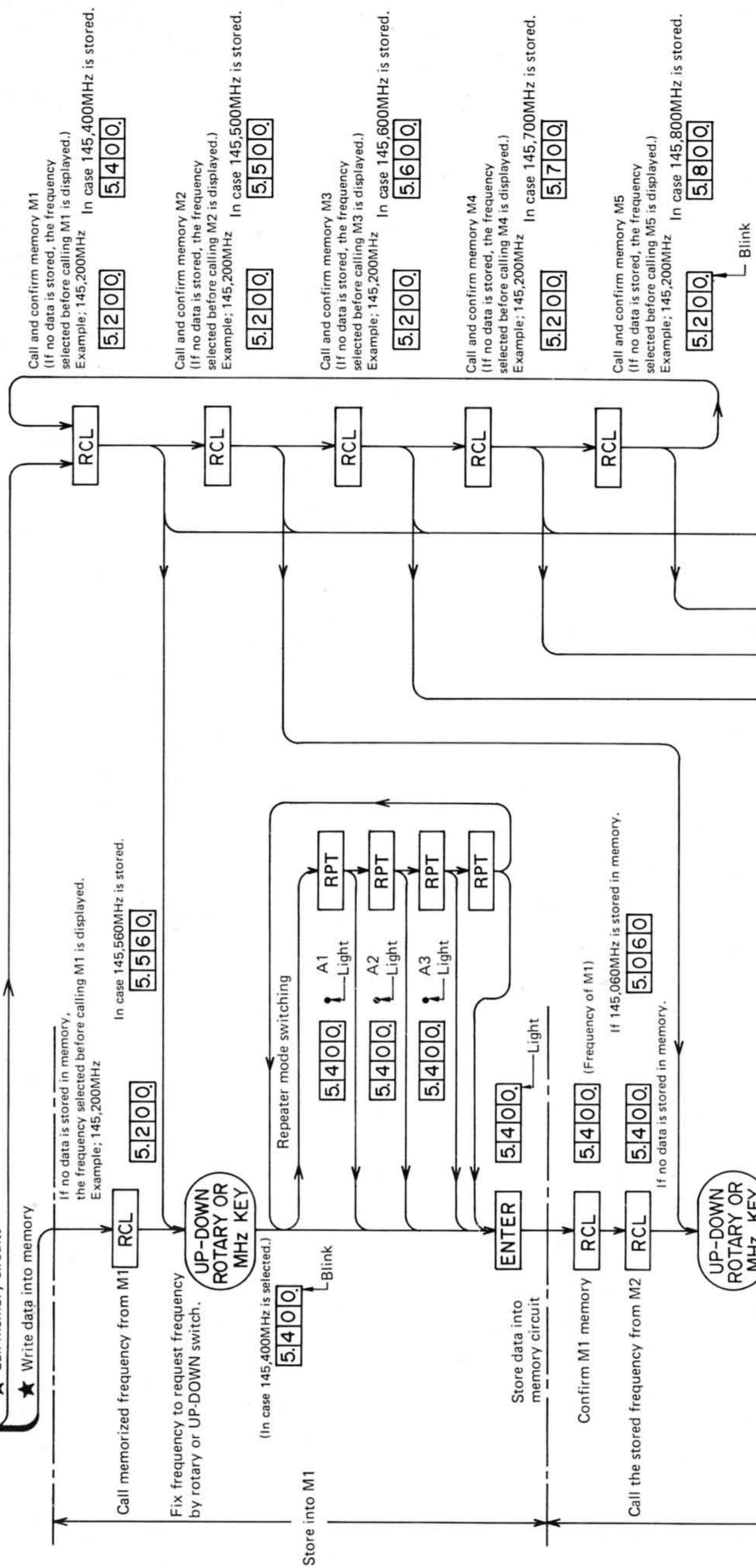
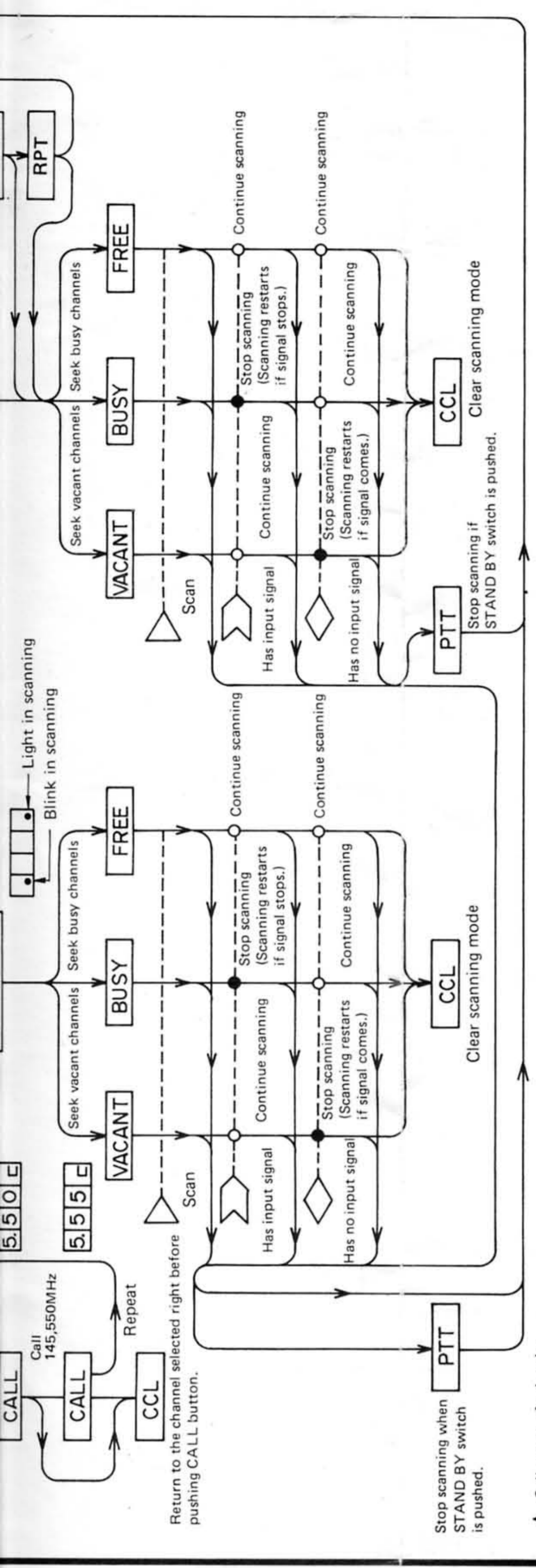




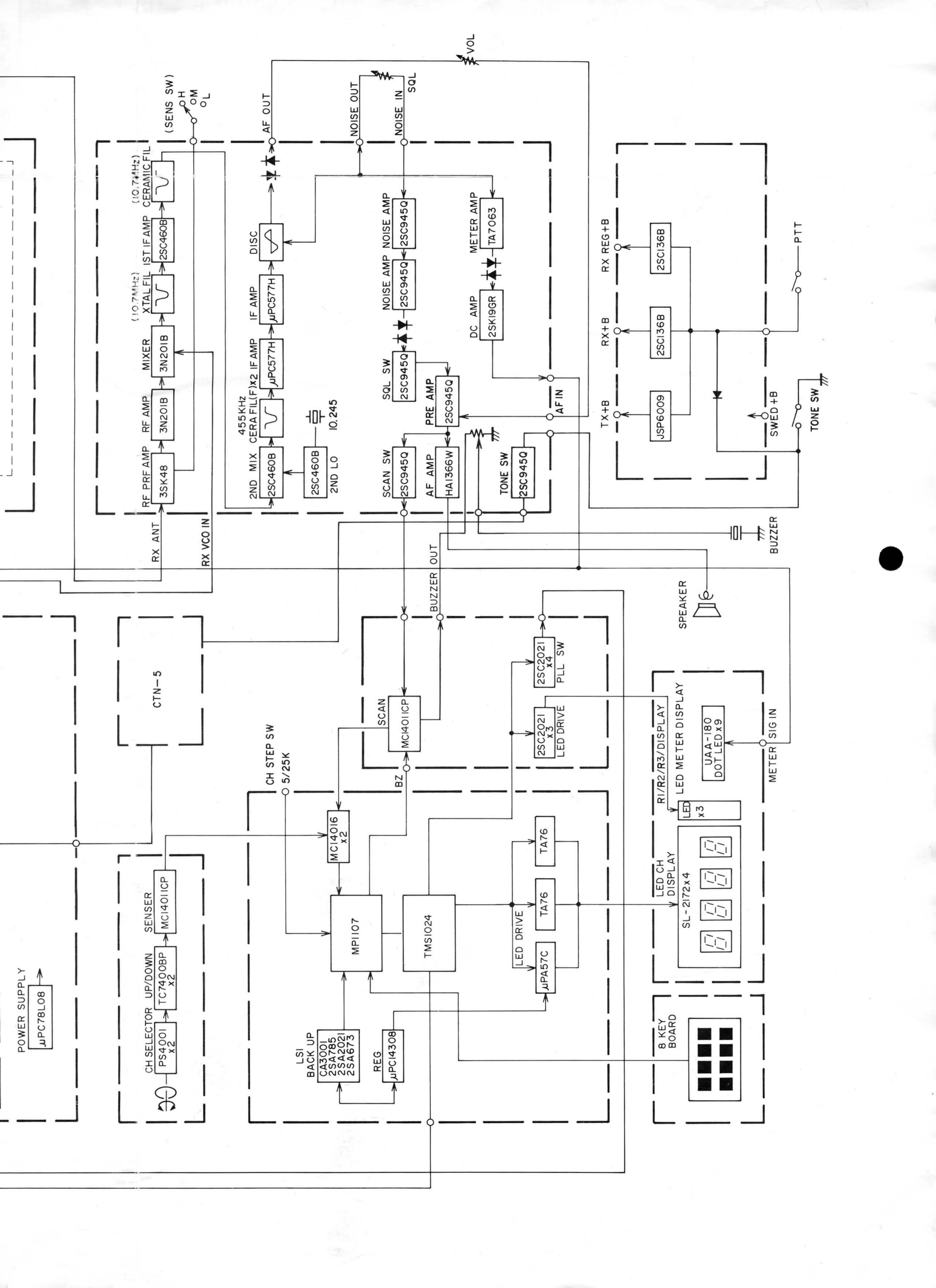


FLOW CHART





★ During transmission, all keys and switches don't work.



BLOCK DIAGRAM

